

ITEM	PART NO.	DESCRIPTION	QTY
1	7104998	FRAME, BASE ASSY FLAT BLACK 13.25"	1
2	7105373	HANDLE, REAR SVC ASSEMBLY, FLAT BLACK WITH LABELS	1
† 2.1		HANDLE, REAR BLACK DXPW 18GA. 13.25"	1
2.2	7109070	DASHBOARD KIT DXPW3835 W/LABEL SRV ASSY	1
† 2.2.1		SCREW, TORX PANHEAD 1/4"-20 x 3/4"	4
2.2.2	7103161	NOZZLE HOLDER, 5PC RUBBER	1
3	7105374	HANDLE, SVC ASSEMBLY QUICK START WITH LABELS	1
4	7104637	ENGINE, SVC ASSY GX270UTQAG2	1
5	7109049	PUMP SVC KIT, 530010 AAA PUMP	1
† 5.1	530010	C41 SERIES PUMP, 3800PSI @ 3.5GPM HORIZ	1
5.1.1	7108868	PLUG, CRANKCASE VENT, C31/C41/C45	1
† 5.2		BOLT, 3/8"-16 x 1 1/4"	4
† 5.3		WASHER, 3/8" SPLIT-LOCK	4
5.4	7105453	KEY, SHAFT 1/4" X 1/4" X 1-1/2"	1
* † 5.5		FILTER, SOAP W/O CHECK PLASTIC	1
* † 5.6		HOSE, SOAP CLEAR 5.7MM X 8.9MM OD	1
6	7105376	KIT, 13" WHEEL SERVICE	2
† 6.1		WHEEL, 13" BLACK	1
† 6.2		WASHER, 5/8" FLAT	1
† 6.3		CLIP, E-TYPE 0.625" x 0.042"	1
7	7103292	KIT, FOOT SVC ASY .625"	2
† 7.1		FOOT, RUBBER 1.50" x 0.625"	1
† 7.2		SCREW, TORX PANHEAD 1/4"-20 x 3/4"	1
8	7103277	HARDWARE KIT, ENGINE MOUNTING	1
† 8.1		BOLT, 3/8"-16 x 2" SERRATED FLANGE	4
† 8.2		NUT, 3/8"-16 WHIZ	4
9	7103279	KIT, PUMP MOUNTING HARDWARE	1
† 9.1		BOLT, 3/8"-16 x 1 1/4"	4
† 9.2		WASHER, 3/8" SPLIT-LOCK	4
10	7104570	HARDWARE KIT, HANDLE MOUNTING	2
† 10.1		BOLT, SADDLE 5/16"-18 x 2"	1
† 10.2		KNOB, HANDLE 5/16-18	1
11	7100634	NOZZLE SET 3.5 5pc 1/4 QC-M	1
12	7104641	HANDLE GRIP, VINYL COVER DEWALT	1
13	7108127	GUN, 4500PSI, 6.6GPM, 3/8 QC(M) W/SIDE H	1
14	7103261	LANCE, 31" 1/4"QC-F x M22(M)	1
15	7104844	HOSE, 3/8" X 50' X 4500PSI 3/8QC	1
16	7102207	KIT, SVC ASSY SOAP HOSE W/PLASTIC FILTER	1
* 17	7102045	TOOL, NOZZLE CLEANING, UNIVERSAL	1
* 18	7104830	MANUAL, OPERATORS DXPW3835 MODEL SPECIFIC	1
* 19	7104829	BOX, DXPW3835 SHIPPING	1



\* NOT SHOWN  
† NOT SOLD SEPERATELY

PUMP INFORMATION TABLE			
MACHINE SERIAL NO.	PUMP MODEL	PUMP PART NO.	PUMP KIT NO.
130197 TO 134613	TC1310	7103894	7103880
134614 TO 393852	ZWD-K3538	7104858	7105377
393853 TO 925716	AAA-C40	530003	7106762
925717 TO PRESENT	AAA-C41	530010	7109049

ONLY THE LATEST VERSION OF THE PUMP IS AVAILABLE FOR REPLACEMENT

NAME	DATE
DRAWN TV	4/22/2014
CHECKED M.G.	4/22/2014
ENG APPR. S.A.C.	5/2/2014
MFG APPR. -	-
Q.A. APPR. J.C.	5/12/2014
SERVICE APPR. D.H.	1/26/2012

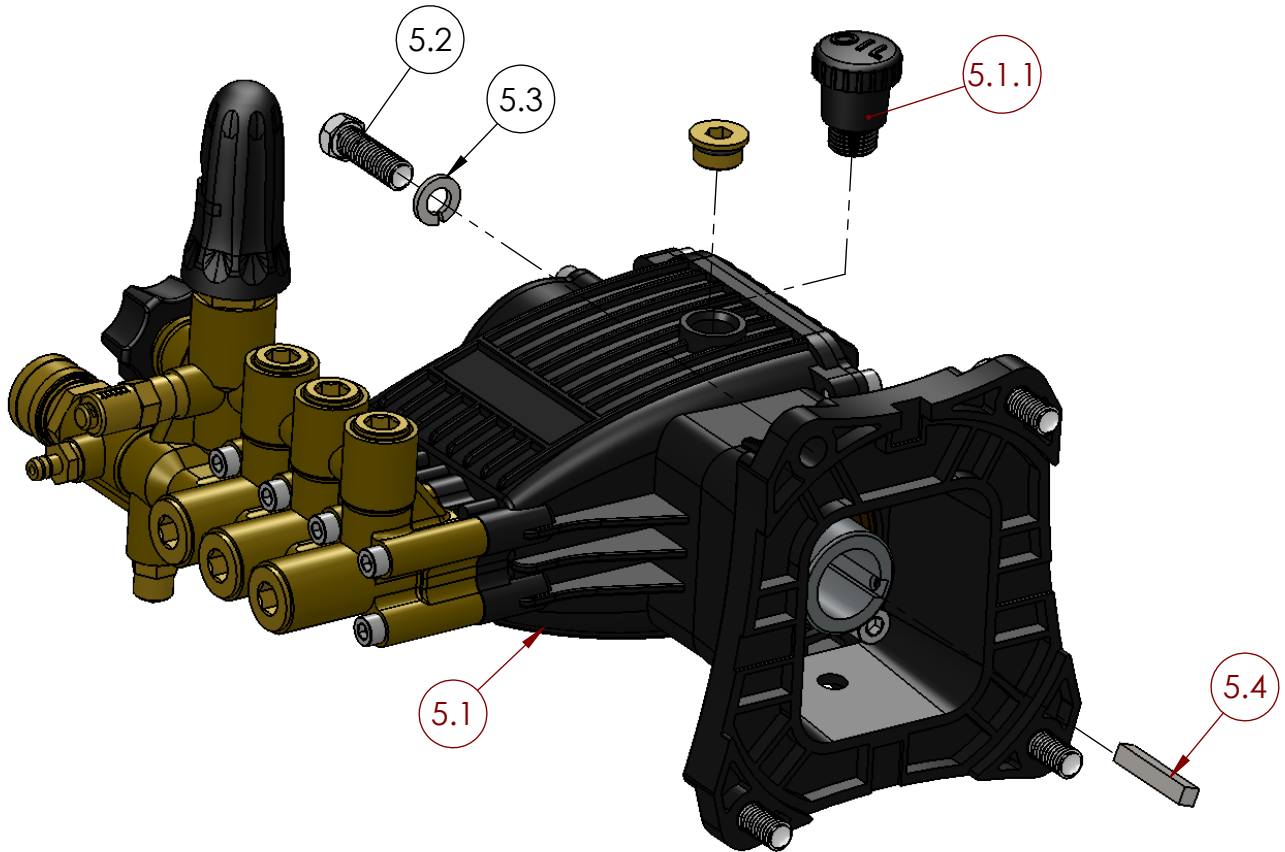
**PROPRIETARY AND CONFIDENTIAL**  
THE INFORMATION CONTAINED IN THIS DRAWING IS THE SOLE PROPERTY OF FNA-GROUP. ANY REPRODUCTION IN PART OR AS A WHOLE WITHOUT THE WRITTEN PERMISSION OF FNA-GROUP IS PROHIBITED.

FNA-GROUP		
1265 INDUSTRIAL STREET, DECATUR, AR 72722		
TITLE:		
DXPW3835 DEWALT 3800PSI @ 3.5GPM		
SIZE	DWG. NO.	REV.
A	60576-S	D
SCALE: N/A	ECN# DC16-0187	SHEET 1 OF 4



SIZE	DWG. NO.	REV.
<b>A</b>	<b>60576-S</b>	<b>D</b>
SCALE: N/A	ECN# DC16-0187	SHEET 2 OF 4

TOP OIL VENT PLUG IS TO BE REPLACED BY CUSTOMER UPON RECEIVING PUMP SERVICE KIT



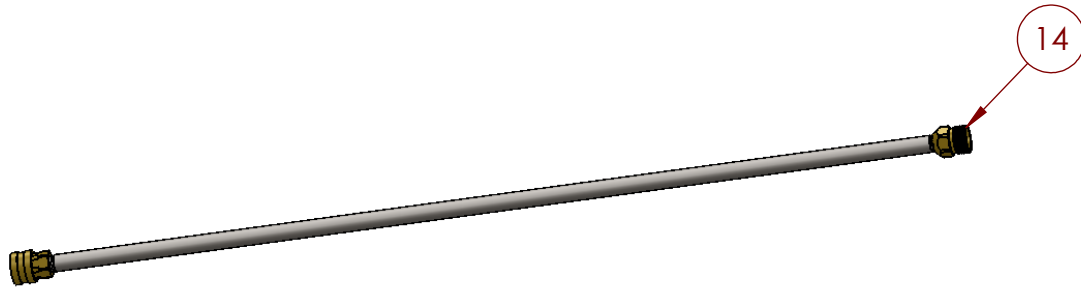
5 7109049 - C41 SERIES PUMP, 3800PSI @ 3.5GPM HORIZ

ITEM	PART NO	DESCRIPTION	QTY.
† 5.1	530010	C41 SERIES PUMP, 3800PSI @ 3.5GPM HORIZ	1
	5.1.1	PLUG, CRANKCASE VENT, C31/C41/C45	1
† 5.2		BOLT, 3/8"-16 x 1 1/4"	4
† 5.3		WASHER, 3/8" SPLIT-LOCK	4
	5.4	KEY, SHAFT 1/4" X 1/4" X 1-1/2"	1
*† 5.5		FILTER, SOAP W/O CHECK PLASTIC	1
*† 5.6		HOSE, SOAP CLEAR 5.7MM X 8.9MM OD	1

\* NOT SHOWN  
† NOT SOLD SEPERATELY



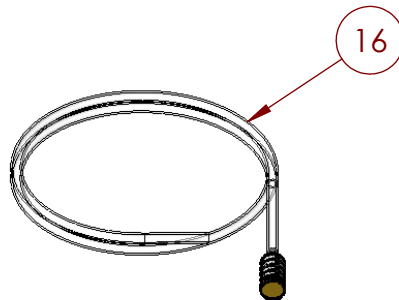
7108127 - GUN, 4500PSI, 6.6GPM, 3/8 QC(M) W/SIDE H



7103261 - LANCE, 31" 1/4"QC-F x M22(M)



7104844 - HOSE, 3/8" X 50' X 4500PSI 3/8QC

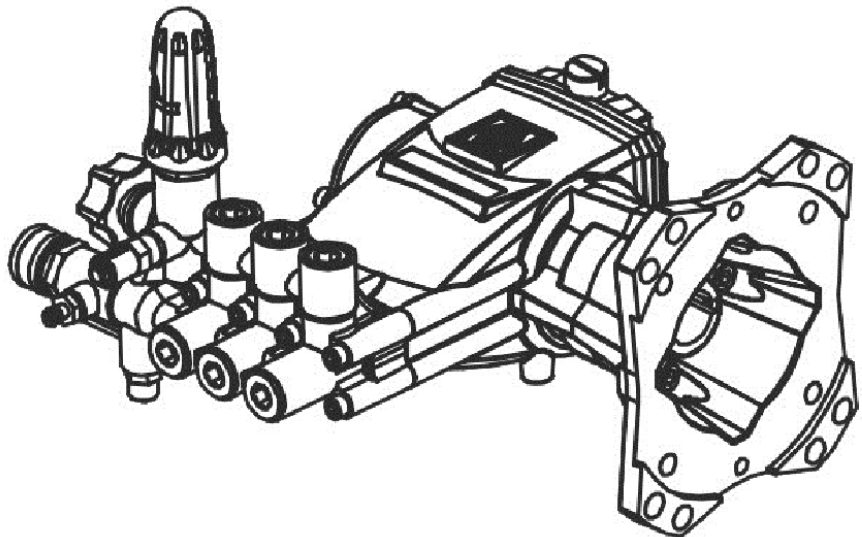
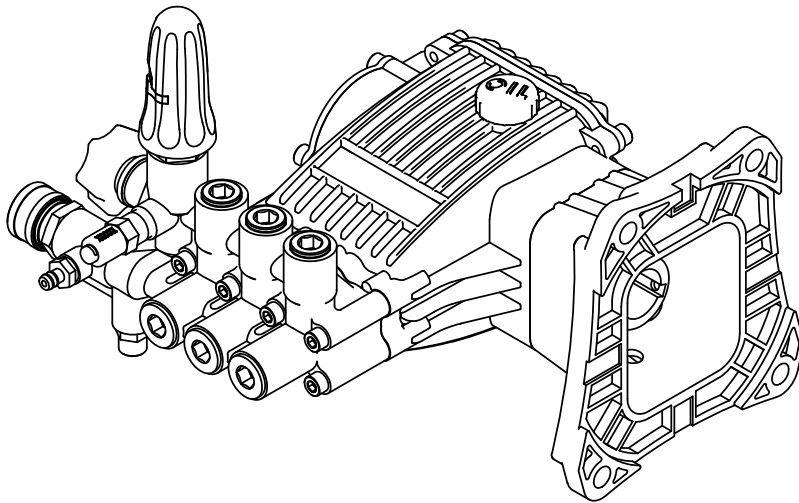


7102207 - KIT, SVC ASSY SOAP HOSE W/PLASTIC FILTER

# OEM 41&42 SERIES PUMP IPL

PUMPS COVERED IN THIS IPL

530010 (53BRD35)



	NAME	DATE
DRAWN	JHS	AUG 2017
CHECKED	DH/OSW	AUG 2017
ENG APPR.	OSW	AUG 2017
MFG APPR.	-	-
Q.A. APPR.	-	-
SERVICE APPR.	DH	AUG 2017

**PROPRIETARY AND CONFIDENTIAL**  
 THE INFORMATION CONTAINED IN THIS DRAWING IS THE SOLE PROPERTY OF FNA-GROUP. ANY REPRODUCTION IN PART OR AS A WHOLE WITHOUT THE WRITTEN PERMISSION OF FNA-GROUP IS PROHIBITED.

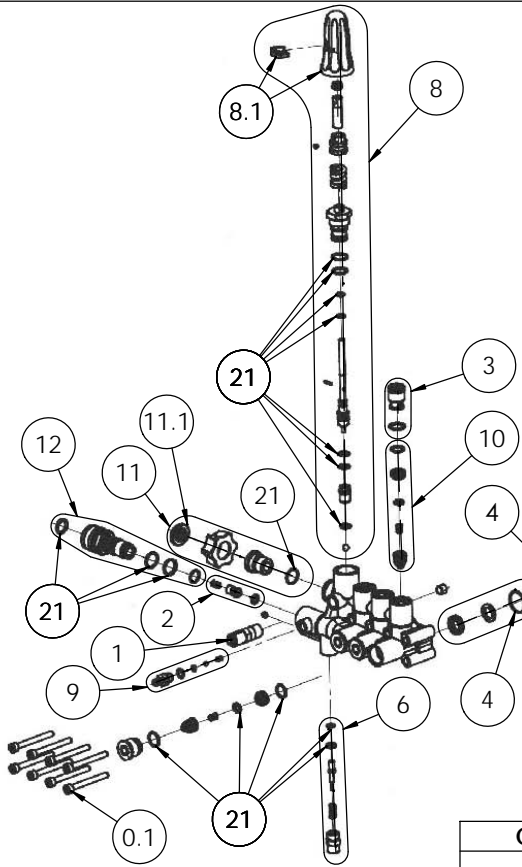
## FNA-GROUP

1265 INDUSTRIAL STREET, DECATUR, AR 72722

TITLE:

C41, C42 SERIES PUMP,  
 HORIZONTAL

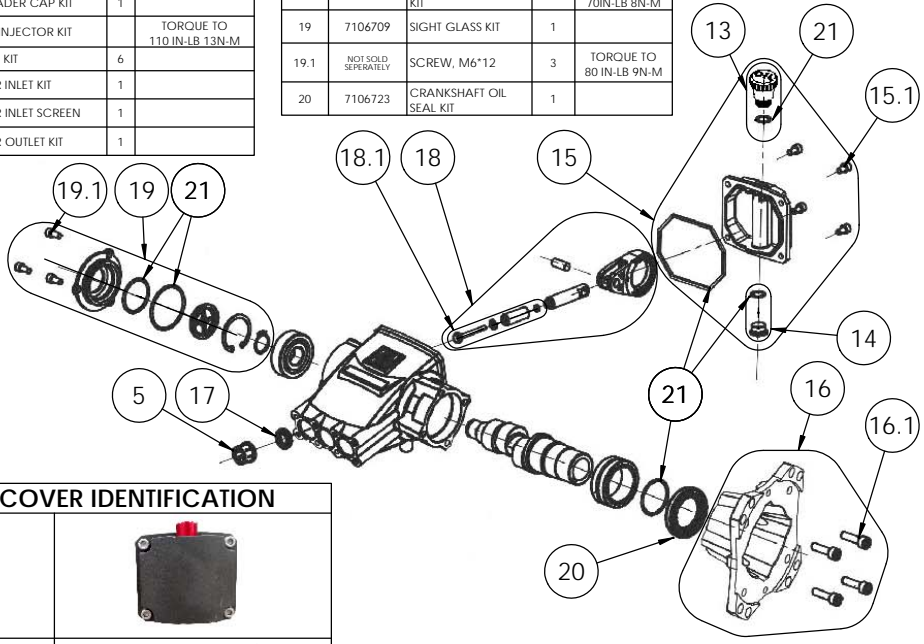
SIZE	DWG. NO.	REV.
<b>A</b>	530010-C	<b>C</b>
SCALE: N/A	ECN# EC180251	SHEET 1 OF 2



MANIFOLD KIT P/N 7108752				
ITEM	PART NO.	DESCRIPTION	QTY	COMMENT
0.1	NOT SOLD SEPARATELY	SCREW, M6*55	8	TORQUE TO 106 IN-LB 12N-M
1	7101359	THERMAL RELIEF VALVE	1	TORQUE TO 159 IN-LB 18N-M
2	7110139	CHECK VALVE KIT	1	
3	7110140	VALVE CAP KIT	6	1 KIT REQ'D TORQUE TO 177 IN-LB 20N-M
4	7110142	SEAL RETAINER KIT	3	
5	7110144	SEAL SPACER KIT	3	
6	7106628	KIT, BOOST VALVE	1	TORQUE TO 159 IN-LB 18N-M
7	7106733	WATER SEAL KIT	3	
8	7108747	UNLOADER KIT	1	
8.1	7109325	UNLOADER CAP KIT	1	
9	7104228	SOAP INJECTOR KIT		TORQUE TO 110 IN-LB 13N-M
10	7108750	VALVE KIT	6	
11	7110330	WATER INLET KIT	1	
11.1	7000123	WATER INLET SCREEN	1	
12	7110331	WATER OUTLET KIT	1	

CRANKCASE KIT P/N 7110147				
ITEM	PART NO.	DESCRIPTION	QTY	COMMENT
13	7111013	OIL BREATHER KIT	1	
14	SEE ID TABLE BELOW	OIL PLUG KIT	1	TORQUE TO 159 IN-LB 18N-M
15		REAR CRANK COVER KIT	1	
15.1	SEE ID TABLE BELOW	SCREW, M6*12	4	TORQUE TO 80 IN-LB 9N-M
16		MOUNTING FLANGE KIT		
16.1	SEE ID TABLE BELOW	SCREW, M8X30	4	TORQUE TO 221 IN-LB 25N-M
17		7105741	OIL SEAL SET	1
18	7110150	CONNECTING ROD/PISTON KIT	1	
18.1	7110828	CERAMIC PLUNGER KIT	3	TORQUE TO 70 IN-LB 8N-M
19	7106709	SIGHT GLASS KIT	1	
19.1	NOT SOLD SEPARATELY	SCREW, M6*12	3	TORQUE TO 80 IN-LB 9N-M
20	7106723	CRANKSHAFT OIL SEAL KIT	1	

MISC. PARTS		
ITEM	PART NO.	DESCRIPTION
21	7110146	ORING KIT, COMPLETE



CRANKCASE COVER IDENTIFICATION	
COVER KIT P/N: 7110141	COVER KIT P/N: 7111012
VENT CAP P/N: 7108868	VENT CAP P/N: 7111013
OIL PLUG P/N: 7110127	OIL PLUG P/N: 7111014
FLANGE KIT P/N: 7111016	FLANGE KIT P/N: 7111015
CRANKCASE COVERS ARE NOT INTERCHANGEABLE BOTH TYPES OF SEAL INCLUDED IN ORING KIT (7110146)	

SIZE	DWG. NO.	REV.
A	530010	C
SCALE:	N/A	ECN# EC180251
		SHEET 2 OF 2